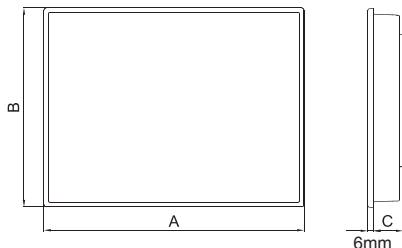
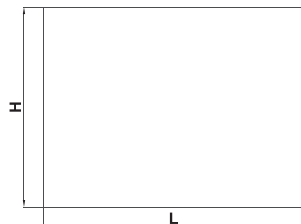


## AHS / BHS Series HMI Panels

### Outlet Dimension



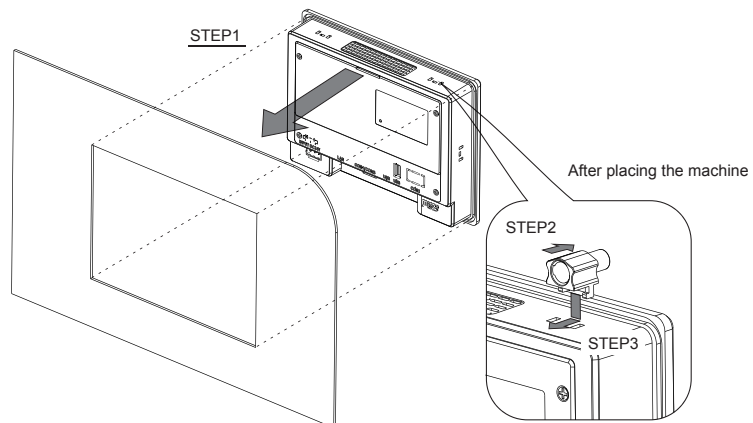
### Cut Out Dimension



Model	A	B	C	L	H
AST-043A/BHS30	129mm/5.08"	103mm/4.06"	26.3mm/1.04"	118.5mm/4.67"	93mm/3.66"
AST-070A/BHS30	203.5mm/8.01"	149mm/5.87"	31mm/1.22"	191.5mm/7.54"	137.5mm/5.41"
AST-100A/BHS30	270.8mm/10.66"	212.8mm/8.38"	37.4mm/1.47"	259.5mm/10.22"	201.5mm/7.93"

1

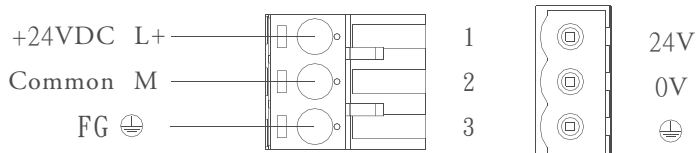
## Installation Drawing



### Power Supply



Powered by a Low Voltage / Limited Energy power source.



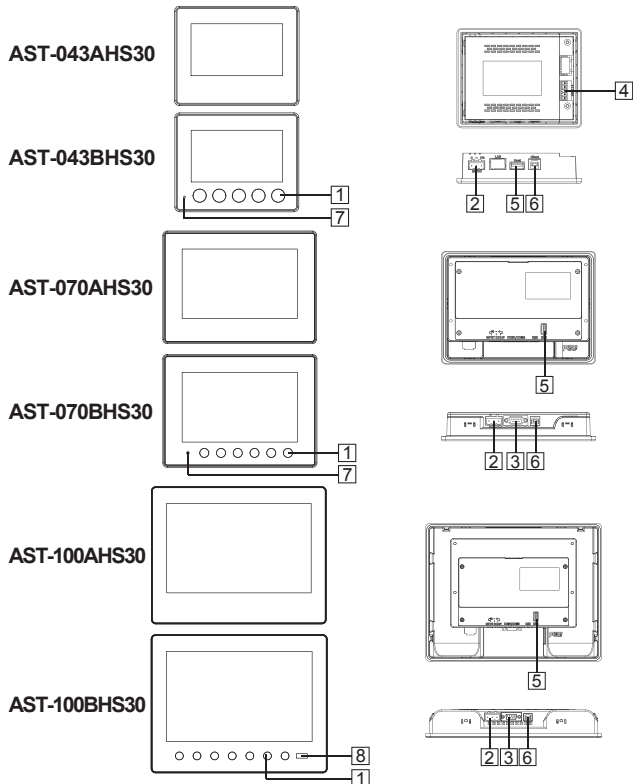
Do not open the rear cover of the panel when power is applied.



Be sure that the power supply has enough power capacity for the operation of the equipment.

2

## Function View



- 1** Front Function Key
- 2** Power connector
- 3** COM1&2&3 9Pin Female
- 4** COM1&3 5Pin Terminal
- 5** USB Host
- 6** USB Client
- 7** Power LED
- 8** Front USB Connector(Option)

## Dispose of batteries



Dispose of batteries according to local regulations.

## Connections

Model	Terminal Type	Pin	Description
AST-043A/B	COM1 & COM3 5 Pin Terminal	1	RS-232(COM1)
		2	RS-485(COM3)
AST-070A/B / AST-100A/B	COM1 & COM2 & COM3 DB-9	1	RS422 TXD+ / RS485 + (COM2)
		2	RS232 RXD (COM1)
		3	RS232 TXD (COM1)
		4	RS422 RXD+ (COM2)
		5	SG
		6	RS422 TXD- / RS485 - (COM2)
		7	RS485 - (COM3)
		8	RS485 + (COM3)
		9	RS422 RXD- (COM2)

The products have been designed for use in an industrial environment in compliance with the 2014/30/EU directive.

The products have been designed in compliance with:

- EN 61000-6-4: 2007 +A1: 2011
- EN 61000-3-2: 2014
- EN 61000-3-3: 2013
- EN 61000-6-2: 2005 / AC: 2005

IEC 61000-4-2: 2008; IEC 61000-4-3: 2006 + A1: 2007 +A2: 2010;  
IEC 61000-4-4: 2012; IEC 61000-4-5: 2014; IEC 61000-4-6: 2013;  
IEC 61000-4-8: 2009; IEC 61000-4-11: 2004

The installation of these devices into the residential, commercial and light-industrial environments is allowed only in the case that special measures are taken in order to get the conformity to IEC-61000-6-3.

Reproduction of the contents of this copyrighted document, in whole or part without written permission of ASK Industrial Automation, is prohibited.